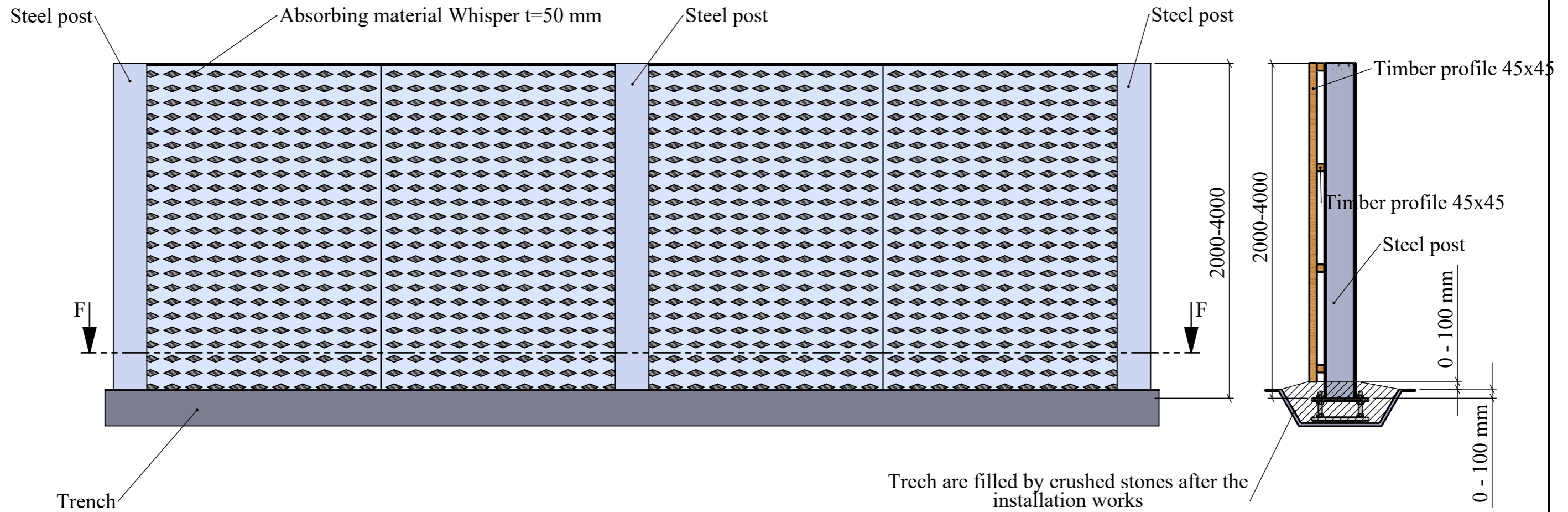


FRON VIEW

SIDE VIEW



Trench are filled by crushed stones after the installation works

Specification

General:

Noise barriers certified and CE marked acc. SS-EN 14388;  
 Mechanical properties of noise barrier panels acc. SS-EN 1794-1;  
 Acoustic properties of noise barrier panel acc. SS-EN 1793-1 and SS-EN 1793-2  
 Steel posts and foundations CE marked acc. SS-EN 1090-2;  
 Technical lifetime - 40 years;  
 Corrosivity category - C3.

Foundation and steel posts:

Foundation and posts designed and specified according to Terrawing (or alternative) design method;  
 Steel posts are produced according to EN1090-2, EXC2;  
 Steel grade for posts - S355J2 according to EN 10025-2;  
 Foundation and steel posts are hot-dip galvanized acc. SS EN ISO 1461 - Fe/Zn 115, non-painted.

Noise barrier panels:

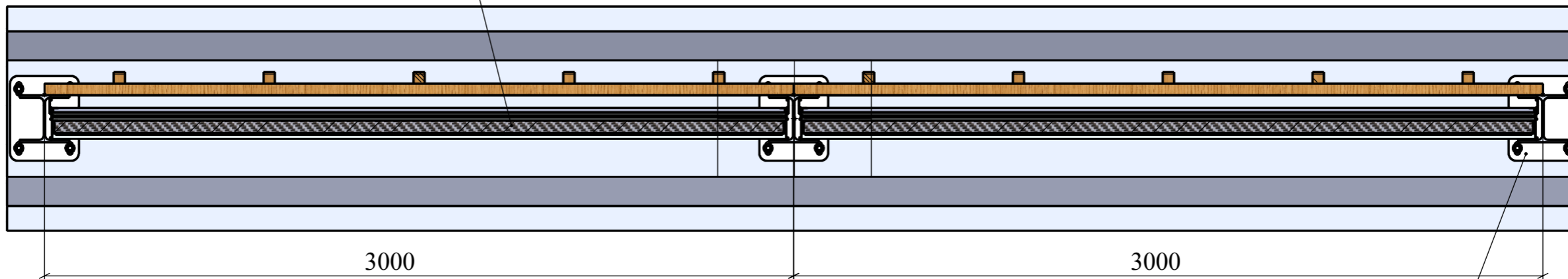
Absorbing panels corresponds to class A3 acc. to SS EN 1793-1 and B3 acc. to SS EN 1793-2; Mechanical testing according to SS EN 1794-1 for wind loads and snow plowing loads (speed 60 km/h);  
 Frame aluminum profiles - grade EN AW-6060 or equivalent;  
 Corrugated aluminum sheet at the back - grade EN AW 3105 or equivalent;  
 Expanded metal sheets in aluminum grade EN AW 3105 or equivalent. Open eye dimensions - 85x35x11 or similar, sheets thickness 1,5mm;  
 Fixation elements correspond to corrosivity category C3.

0	2021-09-29	First issue	
Rev	Date	Revision explanation	
UAB StalCorp Address: Trakų g. 35-20, Kaunas LT-44326 E-mail: info@stalcorp.eu Homepage: www.stalcorp.eu		VÄG 222 Skurubron	
		Typical noise barrier drawings	
Position	Name	Signature	Date
Designer	E. Ratautas		2022-02-10
Absorbing noise barrier			
	Size	Page	Pages
	A3	20210929-1-1	1 4

Absorbing material Whisper t=50 mm

SECTION F-F  
SCALE 1 : 20

DETAIL G



DETAIL G  
SCALE 1 : 4

Steel post

Corrugated back sheet

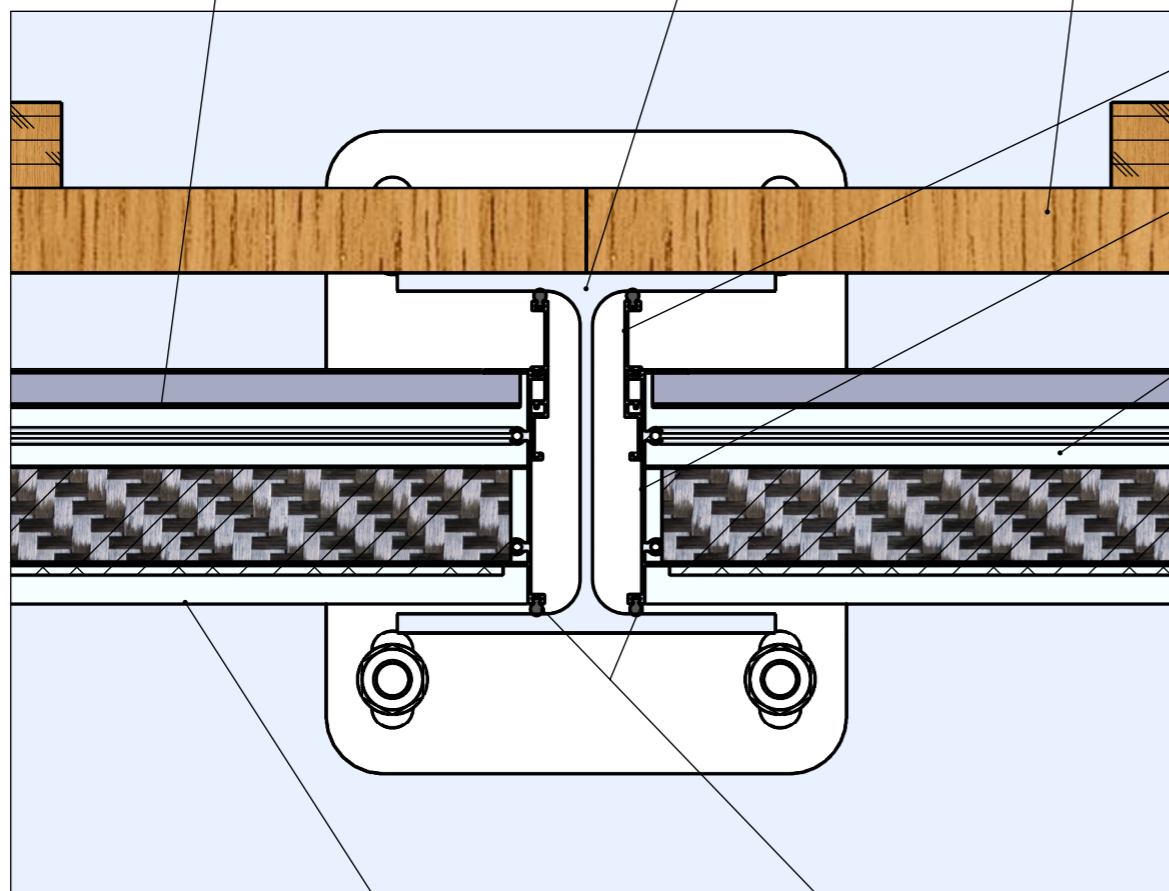
Steel post

Timber profile 45x45

Aluminum adapter profile


Aluminum frame profile

Aluminum frame profile



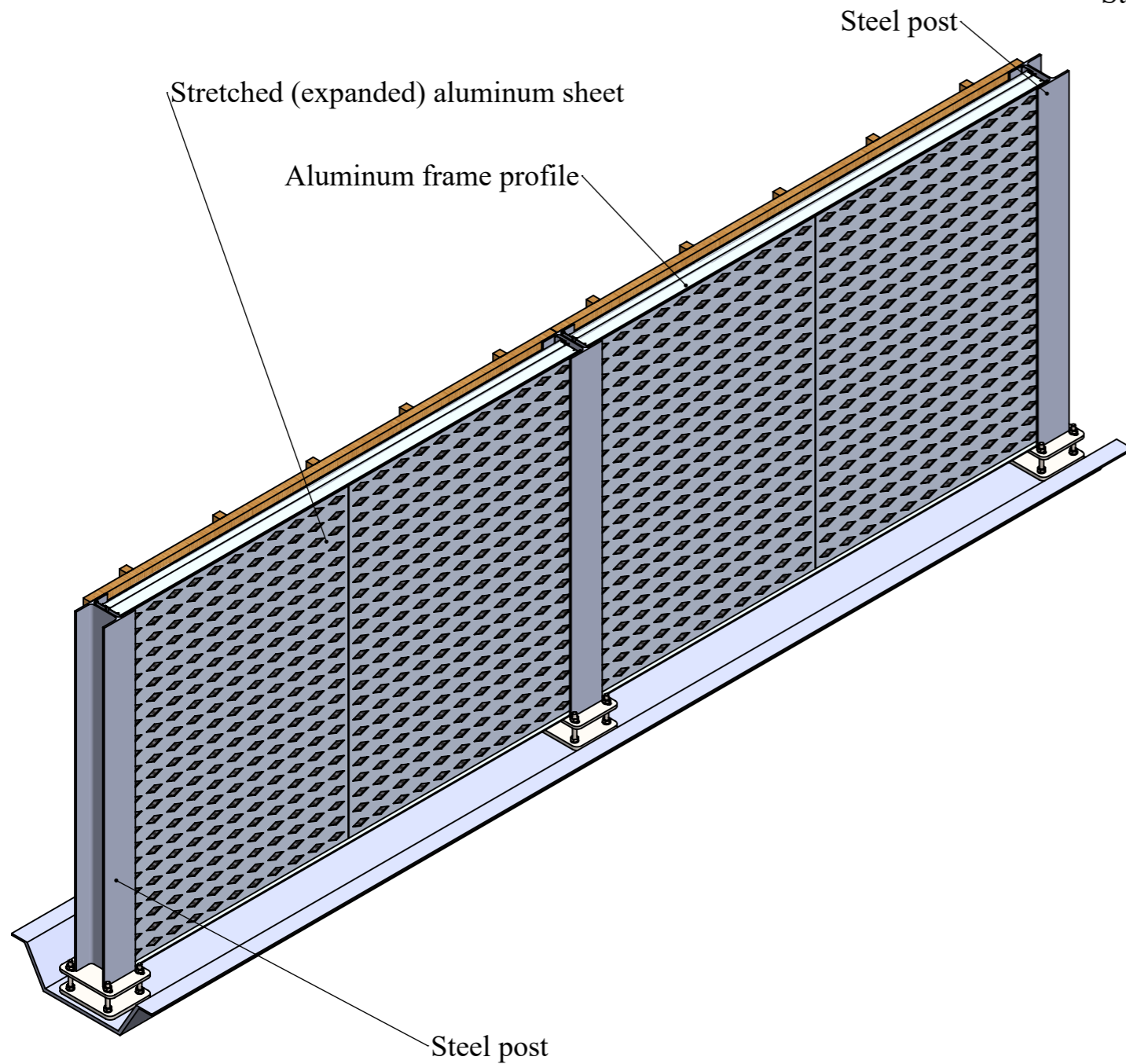
Aluminum frame profile

Rubber gasket

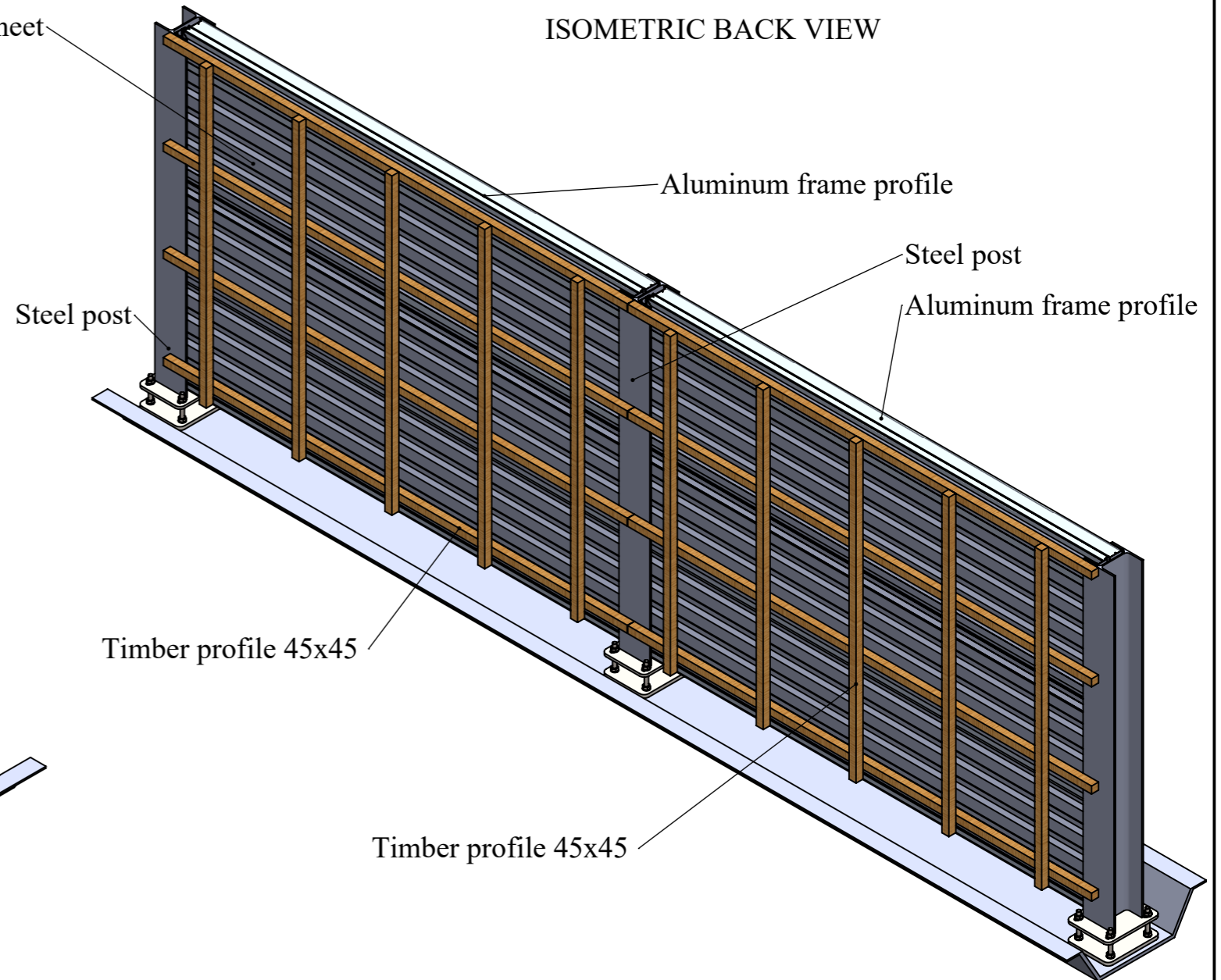
0	2021-09-29	First issue		
Rev	Date	Revision explanation		
		UAB StalCorp Address: Trakų g. 35-20, Kaunas LT-44326 E-mail: info@stalcorp.eu Homepage: www.stalcorp.eu		VÄG 222 Skurubron
				Typical noise barrier drawings
				Absorbing noise barrier
				Size
				A3
				Page
				Pages
				2
				4


ISOMETRIC FRONT VIEW

Corrugated back sheet

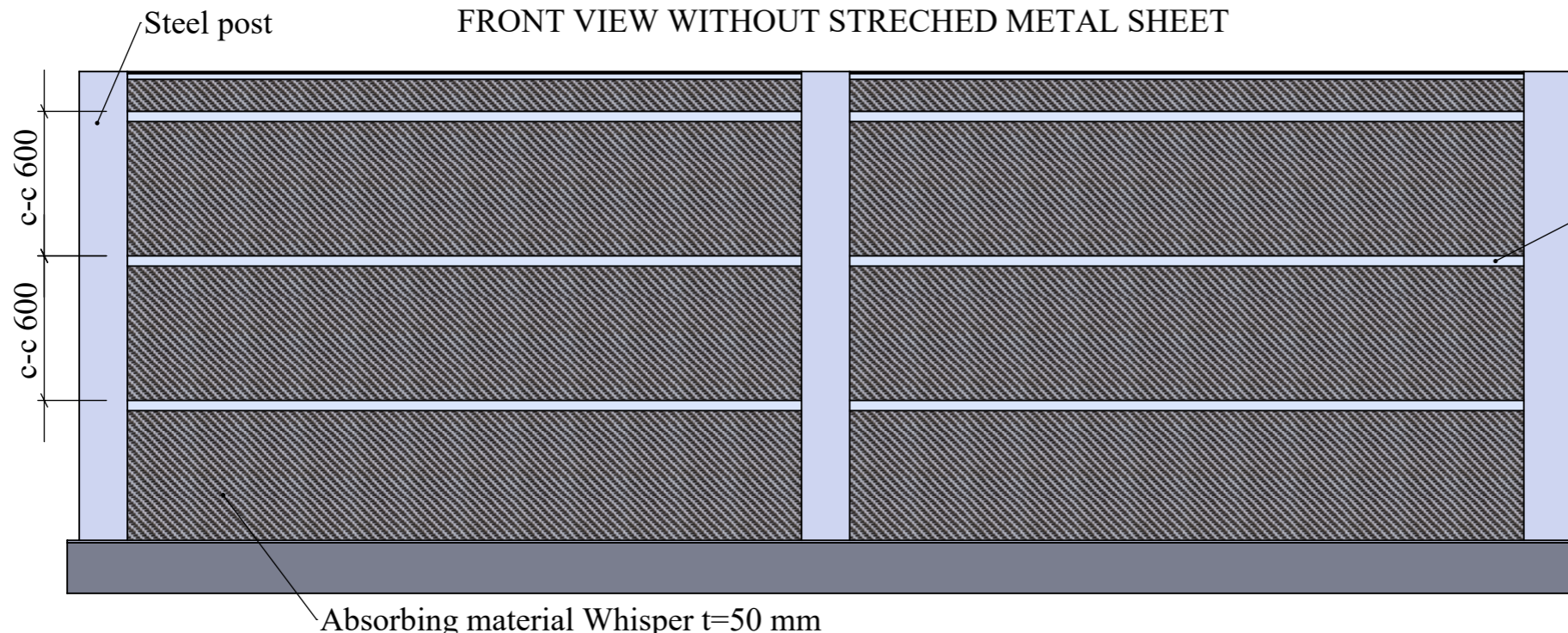


ISOMETRIC BACK VIEW



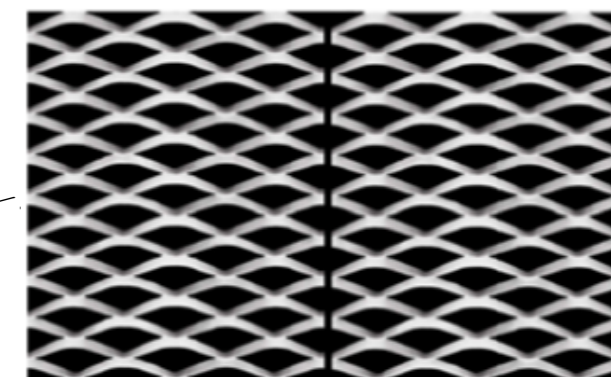
0	2021-09-29	First issue	
Rev	Date	Revision explanation	
 UAB StalCorp Address: Trakų g. 35-20, Kaunas LT-44326 E-mail: info@stalcorp.eu Homepage: www.stalcorp.eu		VÄG 222 Skurubron	
		Typical noise barrier drawings	
Position	Name	Signature	Date
Designer	E. Ratautas		2022-02-10
		Absorbing noise barrier	
		Size	Page Pages
		A3	20210929-1-3 3 4

FRONT VIEW WITHOUT STRECHED METAL SHEET



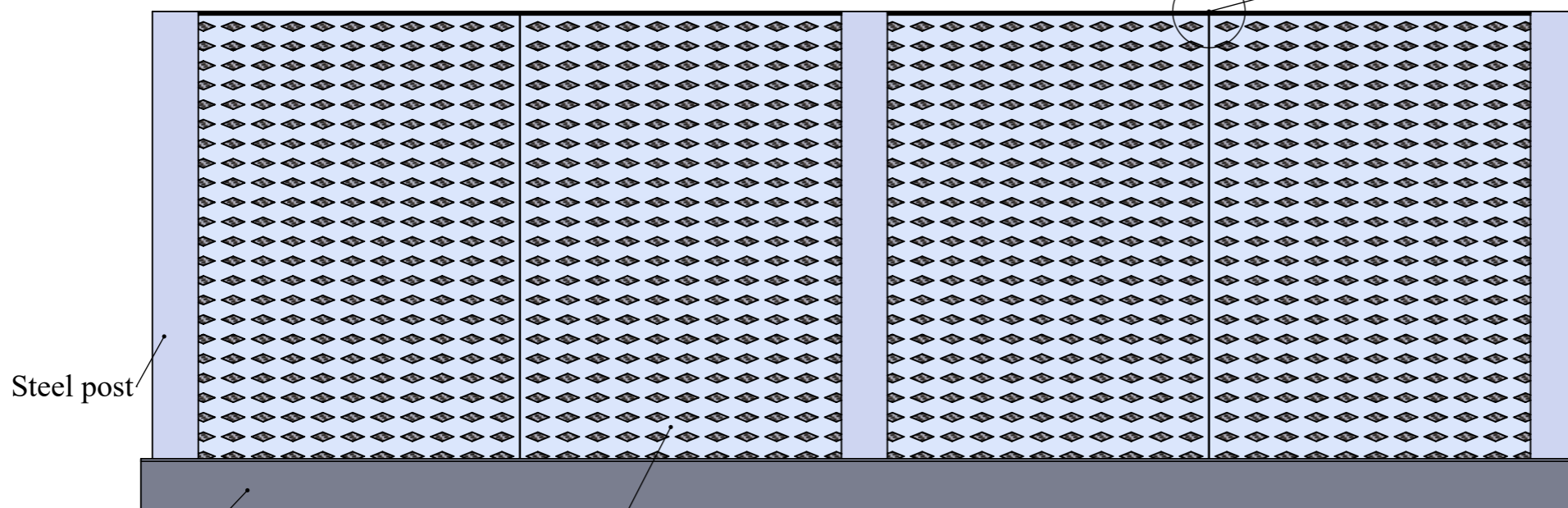
Aluminum frame profile

Joint between the adjacent streched aluminum sheets



Absorbing material Whisper t=50 mm


FRONT VIEW WITH STRECHED METAL SHEET



Steel post

Trench

Stretched (expanded) aluminum sheet

0	2021-09-29	First issue	
Rev	Date	Revision explanation	
 UAB StalCorp Address: Trakų g. 35-20, Kaunas LT-44326 E-mail: info@stalcorp.eu Homepage: www.stalcorp.eu		VÄG 222 Skurubron	
		Typical noise barrier drawings	
Position	Name	Signature	Date
Designer	E. Ratautas		2022-02-10
Absorbing noise barrier			
		Size	Page Pages
		A3	20210929-1-4 4 4